



Tsarino Foundation
Stichting Tsarino
Фондация Царино
KVK-52453014
tsarino.org
info@tsarino.org

Razklon Gallery Submissions

Proposals are welcome from all over the world by artists who have or haven't visited Tsarino.

Please read through the specifications and conditions listed below before sending your proposal to razklon@tsarino.org along with:

1. a completed application form (see page 5)
2. sufficient images (JPEG, TIFF, PNG, or GIF) and/or a clear project description (PDF), max. size per attachment is 2MB
3. a short CV (no more than one side A4 please)

We aim to respond within six weeks of receiving your proposal.

Specifications

The showcase consists of a steel frame, painted black, with glass on five sides. The backside is a door secured by two padlocks. The base is built from natural stones originating from a collapsed house in Tsarino, in a traditional style using cement instead of clay for durability.

The showcase is approx. 1m³. For the exact measurements, see images below (page 3 and 4).

Location

The position of the showcase in relation to the sun is as follows: the rear of the showcase is situated roughly in the east and the front in the west. In the morning, sunlight falls into the showcase through the glass panel on the backside. In the afternoon, the sun comes through the front side. See its location [here](#).

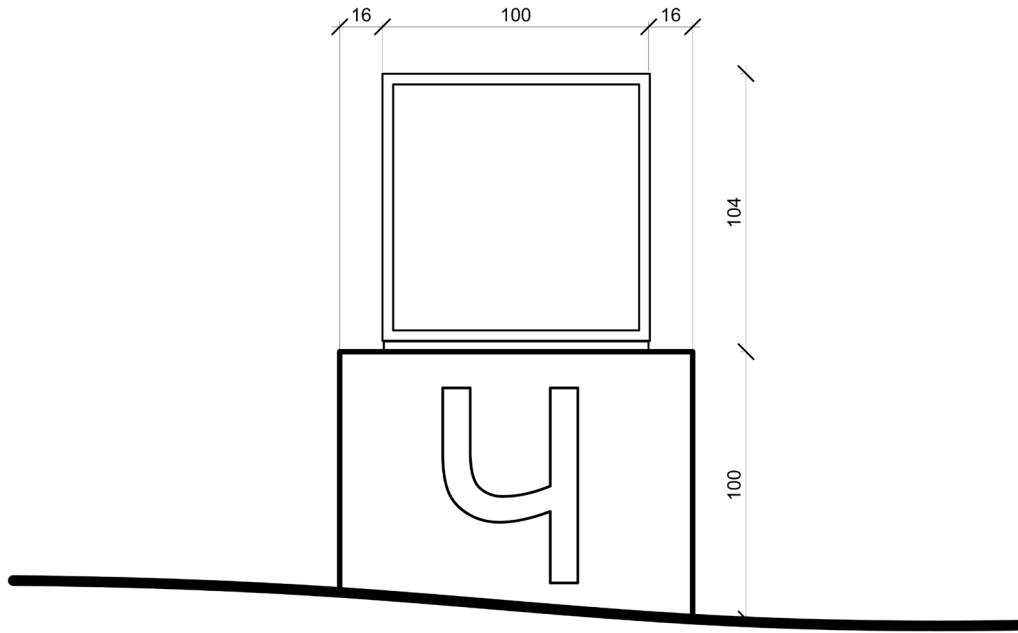
Installation options

- No electricity available
- In principle, only natural light
- Hanging option through four hooks/eyes in the upper four corners of the showcase
- Optional: white/black/other coloured surface on the bottom of the showcase
- Optional: white/black/other plinth to place an object on
- Optional: white/black/other modular wall inside the showcase, e.g. to hang 2D-work
- Other display elements and/or methods can also be discussed, e.g. in the case of time-based or performative work (send us an [email!](#))
- The name of the work and the artist are included in the showcase, please let us know if you want something else
- Consider the season and time of year — in case you would like your project to be presented within a specific time frame, please mention this in your application so we can try to fit you into the right month (depending on availability and the order in which we receive the works)

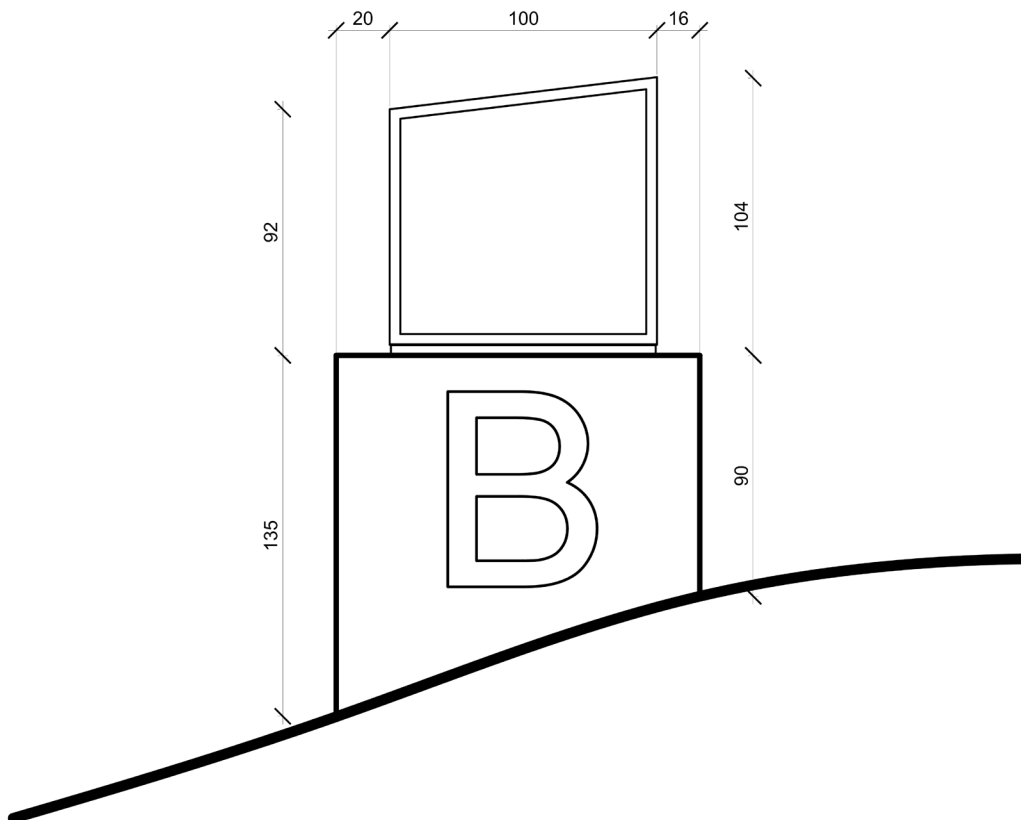
Conditions

- Objects in the showcase will be exposed to full sunlight; please consider its effect on the materials of your project
- UV protection is optional — we have clear UV protection film we can stick to the glass, but as some artists may want to use the UV light as part of their work, we will draw up an exhibition schedule based in part on whether or not a UV filter is needed (please let us know if this is important)
- Do not send us your work until we have approved your proposal
- Each participant can exhibit for one month
- We cannot offer any form of insurance
- The expenses for sending or bringing the work are for the artist, however, we can supply documents needed for a funding application if necessary
- If you send your work by post, please provide a detailed description on how to install the work
- Due to COVID-19 we do not currently recommend travelling to Tsarino, however, this may change — if you would like to come and install your work yourself we will provide accommodation, but please inform yourself about the current situation regarding COVID-19 in Bulgaria and send us an [email](#) to discuss the possibilities
- After the exhibition, we will store the work in Tsarino
- If you would like us to return your work, for example by post, please provide sufficient means in advance

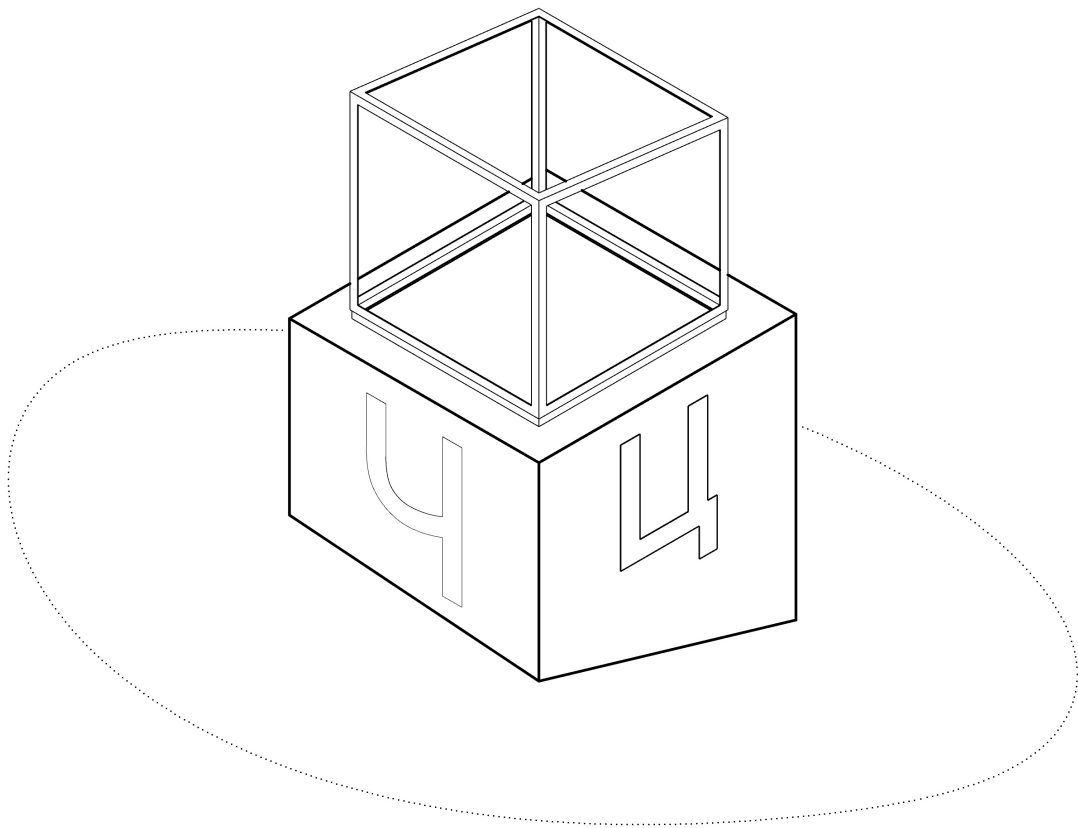
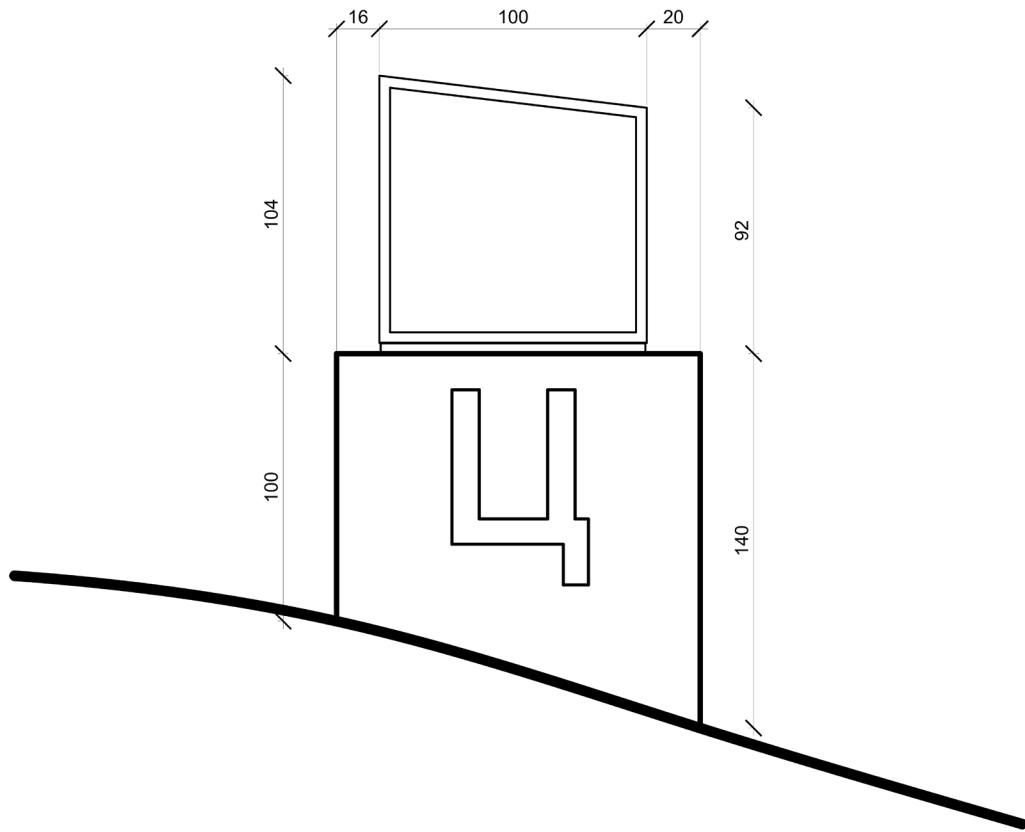
We would like to offer the possibility of donating your work to the foundation, with the prospect of optional participation in a future group show (in which case we will inform you in advance and ask for your permission) — if you like this option, please let us know!



Front view



Left view



Tsarino Foundation AiR — Razklon Gallery Application Form

Project title:

Name:

Address:

Telephone:

Email:

Please fill in this form and return by email to razklon@tsarino.org along with:

1. sufficient images (JPEG, TIFF, PNG, or GIF) and/or a clear project description (PDF), max. size per attachment is 2MB
2. a short CV (no more than one side A4 please)